

SIDEWINDER RIGGING INSTRUCTIONS

CENTERBOARD INSTALLATION: Figure #2

1. To install centerboard in trunk, place blade with small bushings down, in rear slot.
2. Pass end of pennant line through fairlead on cockpit header wall.
3. Pass end of pennant line through tubular jam cleat on side of centerboard trunk.

If the boat is to be sloop rigged, the centerboard must be put in the forward slot.

TO RIG MAST: Figure #1

1. Assemble two mast sections and pass one end of the halyard through the fairlead at top of mast, and pull through until both ends meet.
2. Step the mast through the mast collar on deck of boat.

BENDING SAILS TO SPAR: Figure #1

1. Place gooseneck against mast.
2. Attach shackle through tack of sail to eye strap of boom.
3. Attach clew of sail to eye strap of boom with a short line.
4. Install downhaul.

MAIN SHEET RIGGING: Figure #4

1. The main sheet to becket of becket block.
2. Thread through one side of double block on boom.
3. Thread through sheave of becket block.
4. Thread through other side of double block on boom.
5. Pass through fairlead of mainsheet cleat.

RUDDER ASSEMBLY: Figure #3

1. Insert tiller into rudder head and bolt.
2. Hang rudder on boat and place pin through castings.
3. To activate kick-up rudder blade, do not lift, pull tiller forward.
4. To lock blade in UP position insert screw head found in bottom end of tiller, into the metal "V" jam cleat in cockpit floor.

BAILER:

1. To operate, push down.
2. Do not open bailer in water until boat is well under way.

JIB INSTALLATION

Sidewinder with Jib

1. Install jib sheet cleat with fairlead on side deck (fairlead facing outboard) $37\frac{1}{2}$ " from header wall to center of cleat, placed $\frac{3}{4}$ " in from outboard edge of deck. See Figure #9.

Do not measure from rub strip.
2. Remove clamp from top of luff spar. See Figure #8.
3. Slide luff of jib down over spar. See Figure #8.
4. Replace clamp and fasten at the head of the jib. See Figure #8.
5. Pull the sail taut and fasten the clamp at the tack. See Figure #8.
6. Furl sail around the luff spar.
7. Remove bolt from top of luff spar and attach the side stays. See Figure #7.
8. To attach luff spar to mast pass head of luff spar over the hook on the mast. See Figure #7.
9. Remove bolt from bottom of luff spar and fasten spar to stemhead. See Figure #10.
10. Attach shroud adjusters to side stays. See Figure #9.
11. Attach shroud adjusters to chain plates. See Figure #9.
12. Attach $\frac{1}{8}$ " furling line through the hole in flange on bottom of reel. Be sure knot is tied under the flange. See Figure #5.
13. Pass the free end of reel line through eye strap on fore deck and through tubular jam cleat near mast. See Figure #5.
14. Attach jib sheet by passing line through the clew of the jib and tying a knot at mid-point of sheet. See Figure #5.
15. Pass jib sheet outside of side stays and through jib cleat.

SPINNAKER KIT INSTALLATION

Figure #11

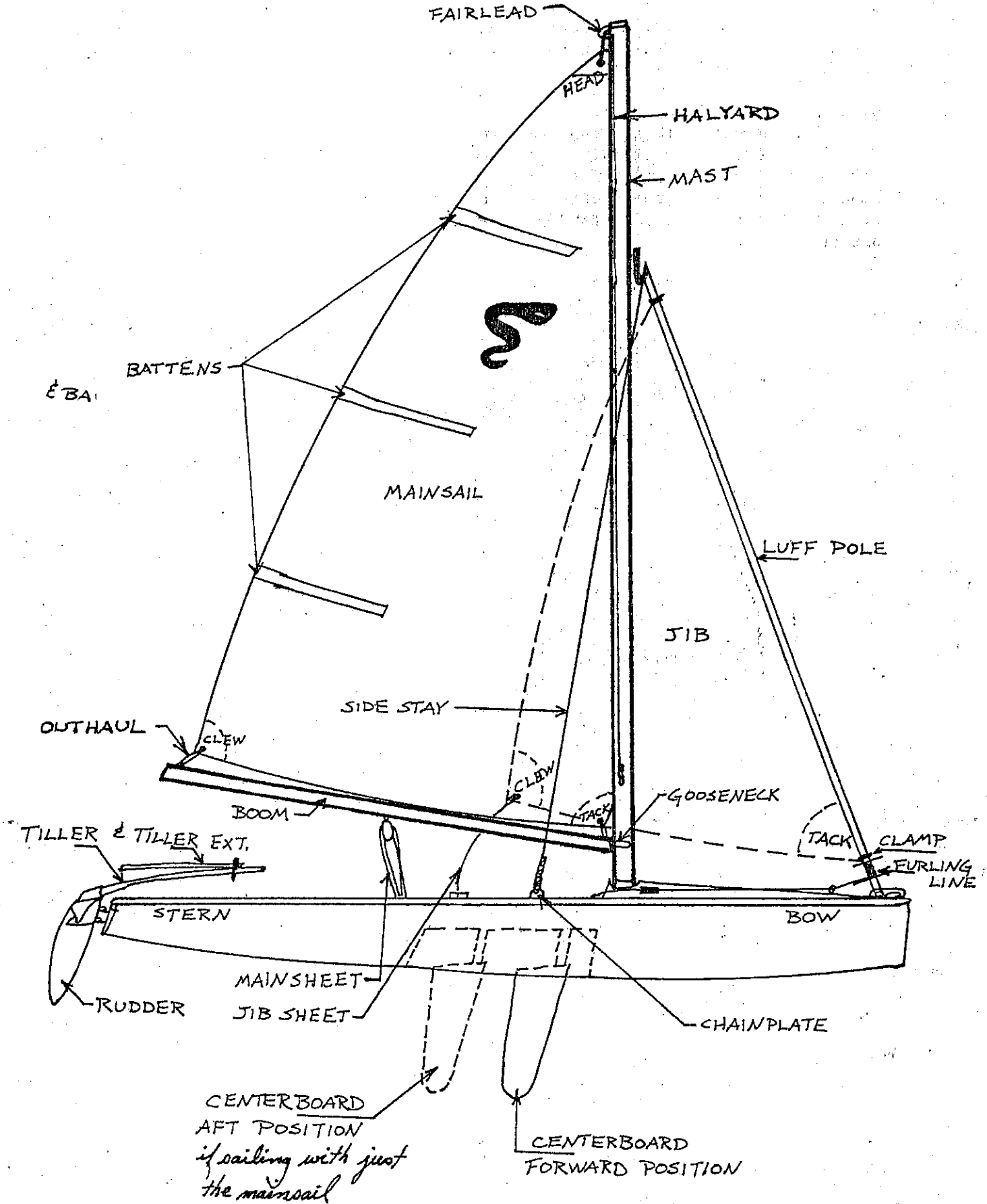
1. Install downhaul fairlead 2" above the deck line. See Figure #1.
2. Install topping lift fairlead one half the distance from the deck to the jib hook. See Figure #2.
3. Install halyard fairlead just above jib hook. See Figure #3.
4. Install spinnaker pole bracket on front of mast 18" from deck line. See Figure #4.
5. Install 3" halyard cleat at a convenient point on the mast. See Figure #5.
6. Install spinnaker sheet snatch blocks on rub rail 18" from stern, with open end of the blocks toward stern. See Figure #6.
7. Tie shock cord and topping lift line together and lead through topping lift and downhaul fairleads and tie. See Figure #7.
8. Lead spinnaker halyard through spinnaker fairlead.
9. Tie shock cord to one end of spinnaker halyard and attach free end to chain plate. Tie carabine hook on free end of spinnaker halyard. See Figure #9.
10. Attach plastic clew shackles and plastic clew ring to spinnaker. See Figure #10.
11. Lead spinnaker sheets aft outside of side stays and around snatch blocks. See Figure #11.

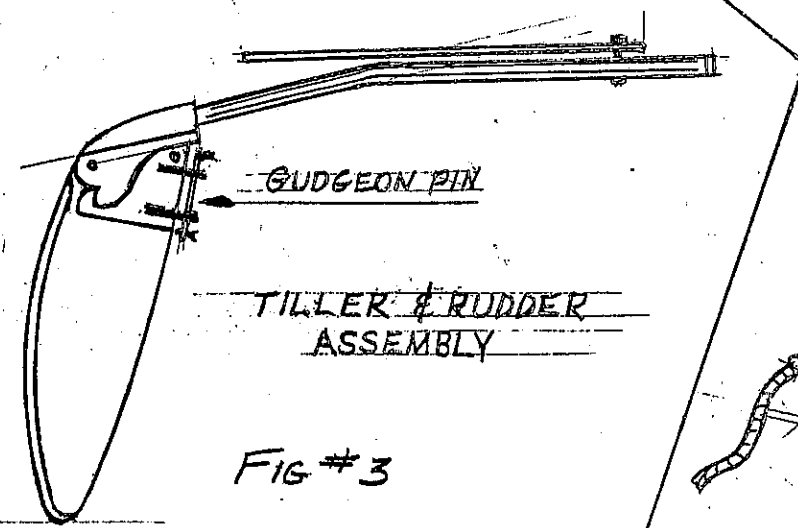
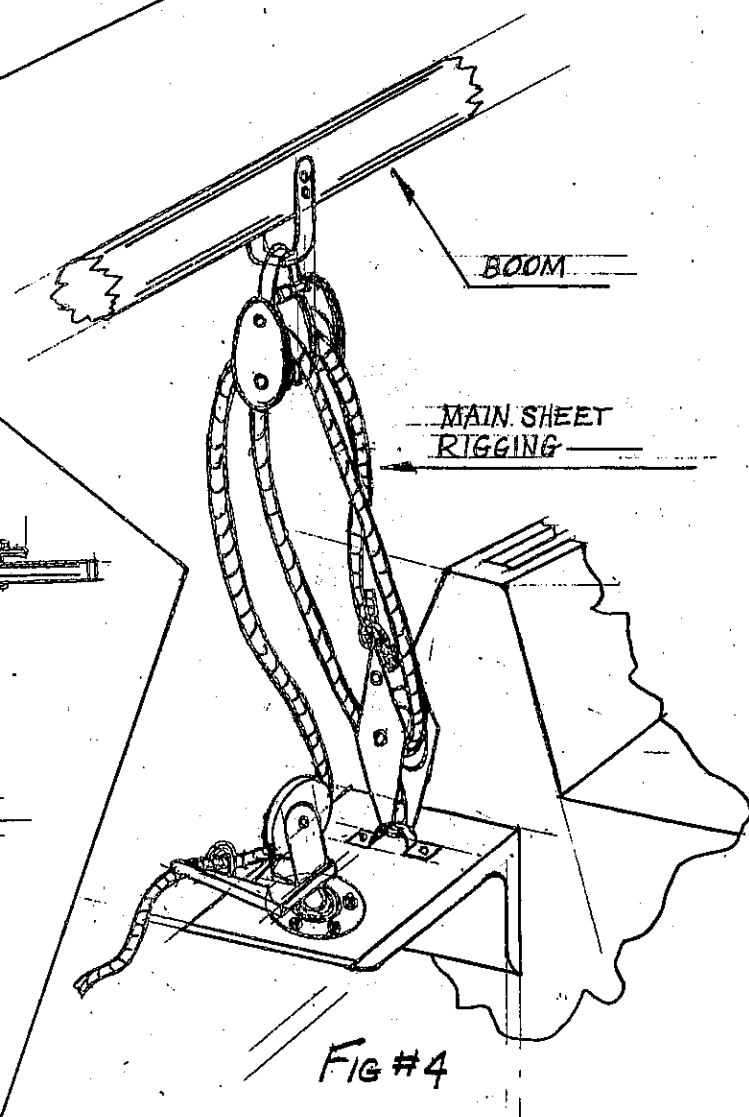
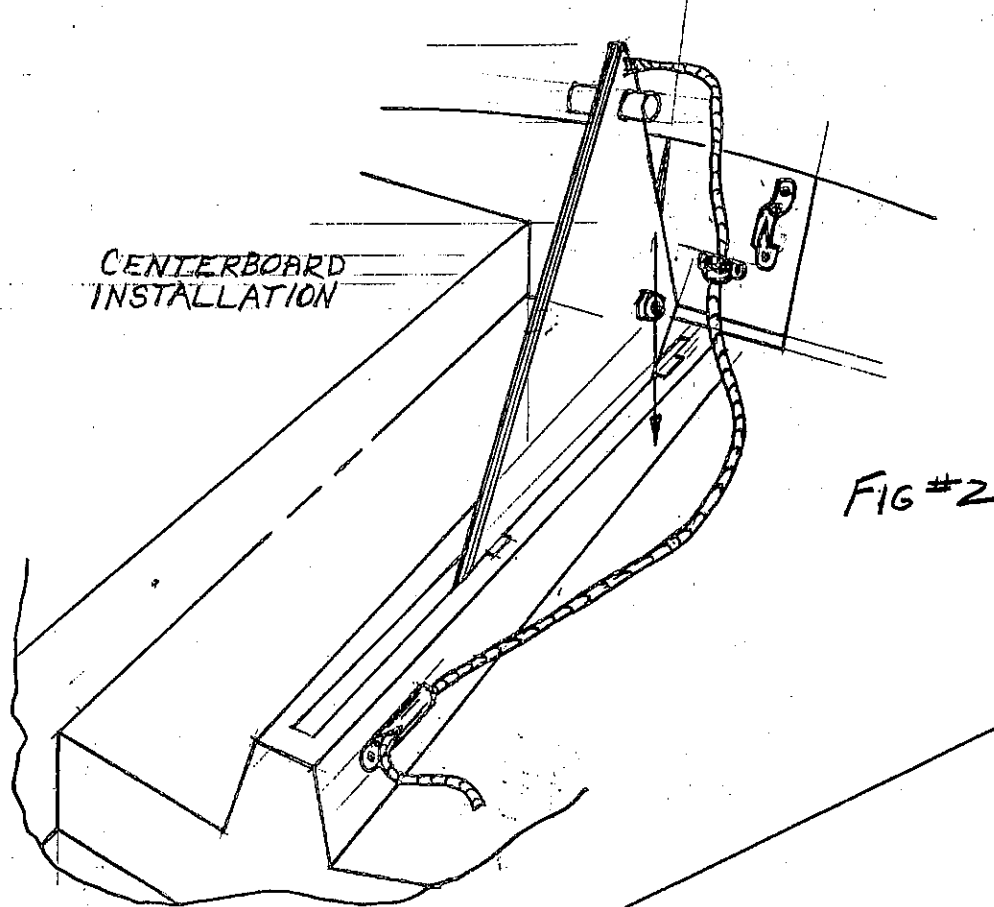
President
Larry Garber
201 Petrie
Cadillac, Mich
49601

Chief Measurer
Jeff Young
16 Timber Lane
Trafford, Pa.
15085

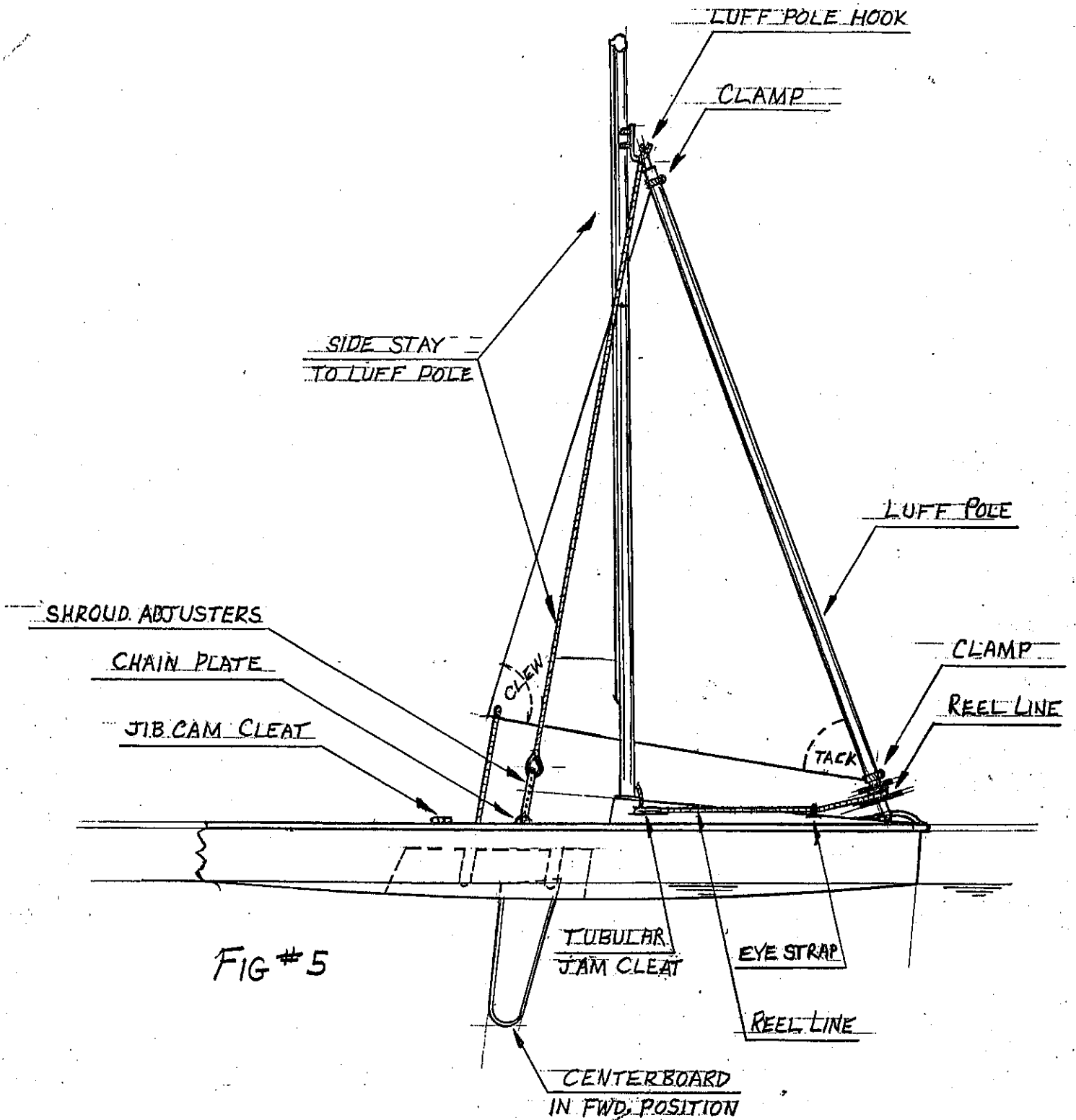
Publicity Chairman
Tom Baugher
65 Fulmer St.
Akron, Ohio
44312

Co Sec/Tres.
Carol and Mary Park
537 Kemmerer Rd.
State College, Pa.
16801





SIDEWINDER JIB INSTALLATION



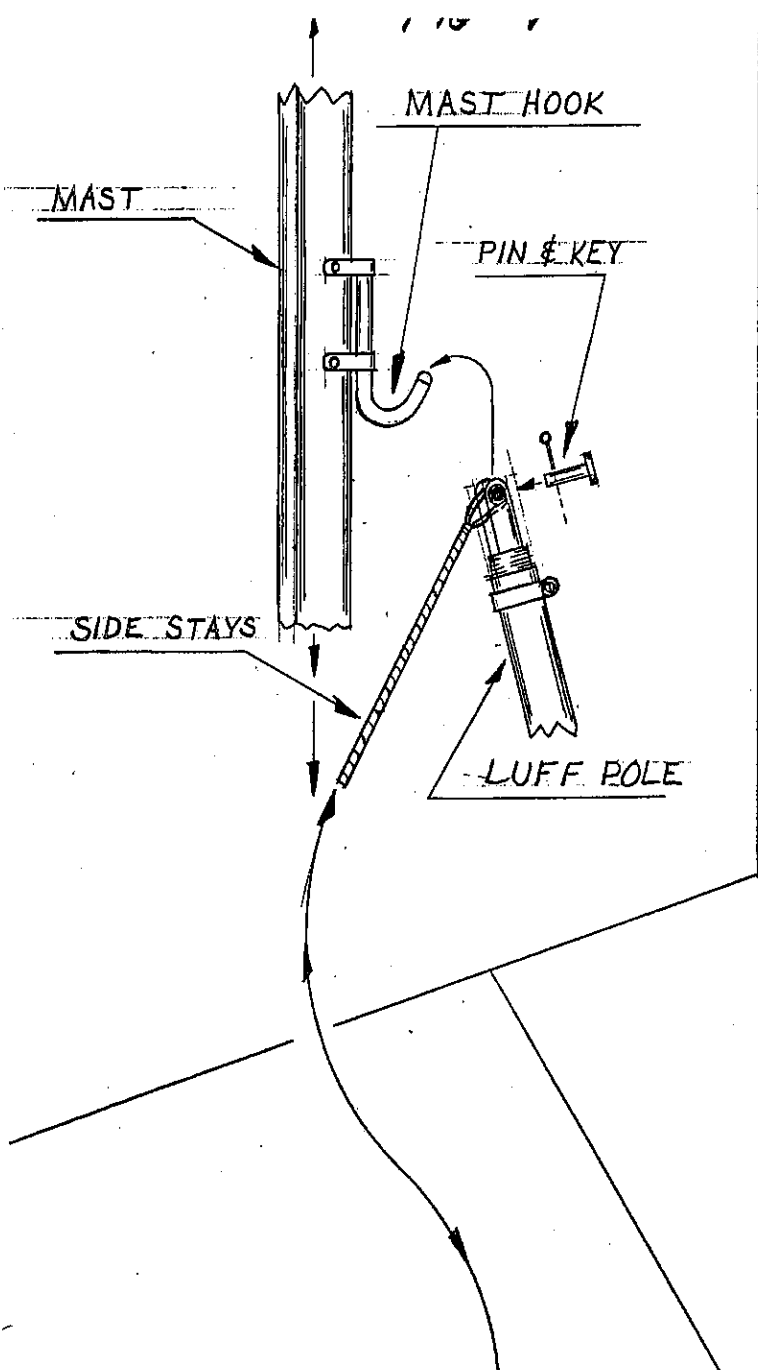
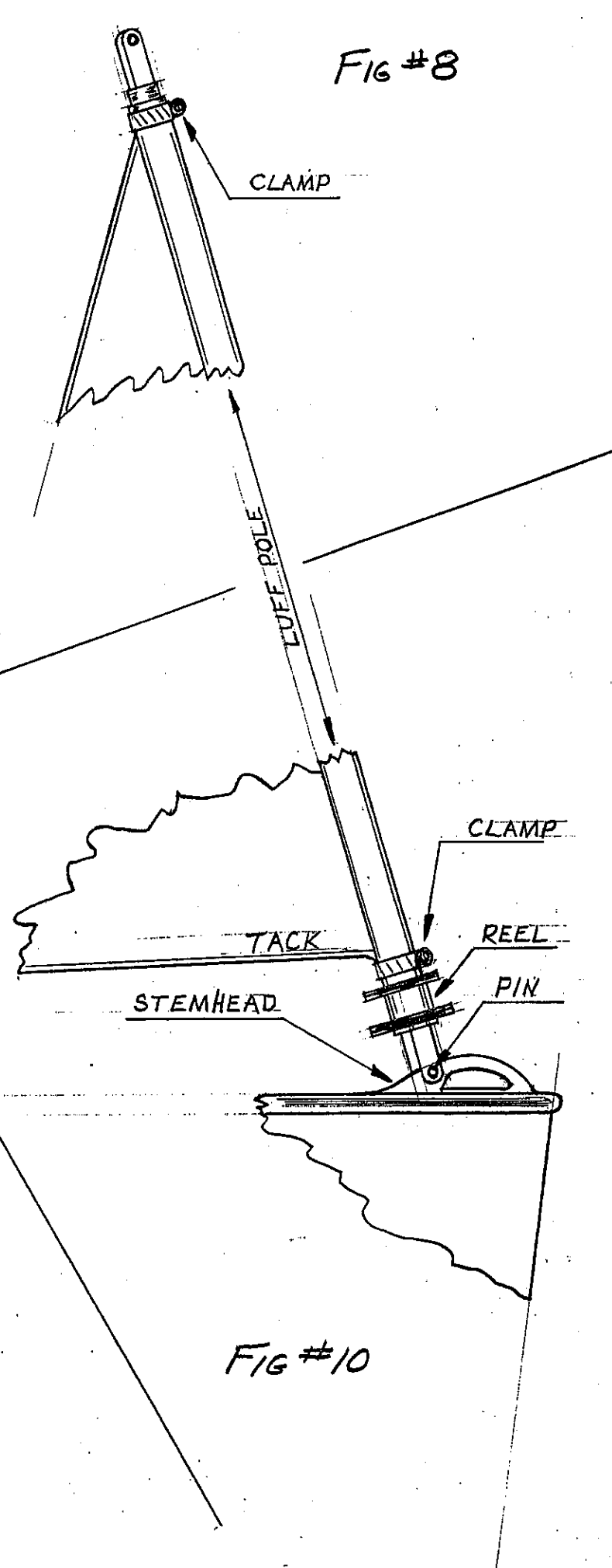
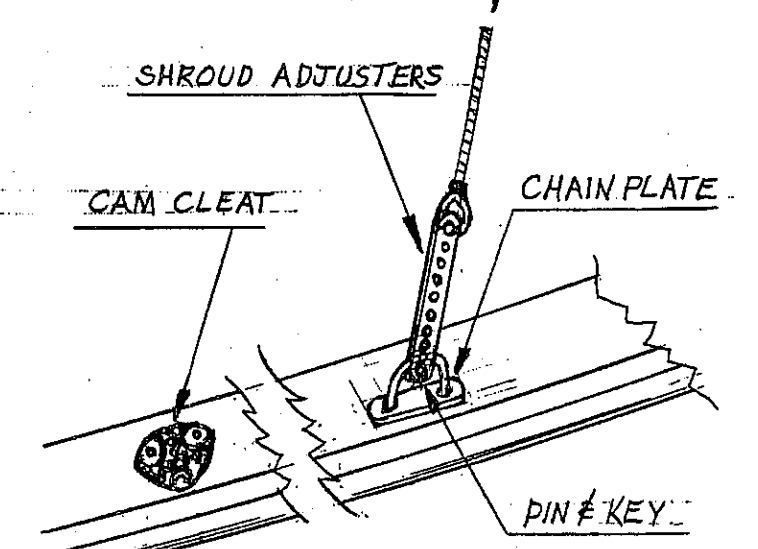


FIG #9



JIB INSTALLATION

SIDEWINDER SPINNAKER GEAR

FIG #11

